



Enerdrive
DRIVING YOUR ENERGY NEEDS

eLITE LITHIUM

12V 100Ah Lithium (LiFePO4) Battery

**100 Amps of
DC POWER**

without the bells & whistles!



- ▶ All the same quality and reputation as the Enerdrive B-TEC range, at an entry level price.
- ▶ Included metal battery tray and hold down strap to complete the installation process.
- ▶ Covered by a 5 year warranty giving you peace of mind knowing that Enerdrive have got you covered.
- ▶ 100Amp Battery Management System (BMS) perfect for 1000W Inverters.
- ▶ Raised terminals for 360 degree cable connections.

The Enerdrive eLITE battery provides 60% more usable power than an equivalent lead acid battery and being nearly 50% lighter and 30% smaller makes for a superior alternative.

With over 7 years of researching, designing and testing lithium batteries and the associated charging systems, Enerdrive are at the forefront of lithium battery systems in Australia.

With over 4000 complete systems in operation Australia wide, Enerdrive is regarded as the leader in the field of lithium batteries and energy systems for Mobile, Marine and Remote applications.

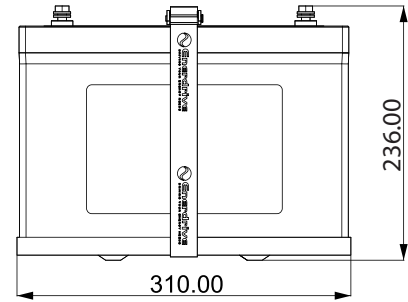
Note: The eLITE battery does not include Bluetooth connectivity for use with the Enerdrive Battery Monitoring app. If monitoring is required an ePRO Plus battery monitor is recommended.



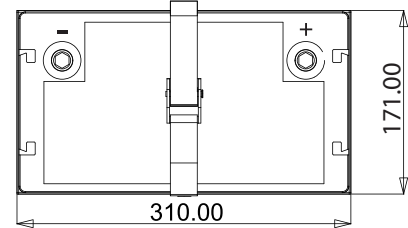
Enerdrive eLITE 12v-100Ah Lithium Battery Technical Data	
Normal Specification	EPL-100-12VLITE
Nominal Voltage	12.8V
Nominal Capacity	100Ah
Cycle Life (DOD - 80% under controlled conditions)	≥2000 Cycles
Standard Charge Specification (Lithium profile charger required)	
Battery Charge Temperature	0 - 45°C
Normal Charge Voltage CV/CC*	14.20 - 14.60
Standby (Float) Voltage	13.50 - 13.60
Maximum Charge Current	80A @ 25°C for 30mins
Recommended Charge Current for Maximum Life	≤33A
Standard Discharge Specification	
Battery Discharge Temperature	-20°C - 60°C
Battery Output Voltage Range	11.0 - 14.60V approx.
Maximum Discharge Current	100A @ 25°C ±5°C for 30 mins
Pulse Discharge Current	450A for 1.0s
Discharge Cut-off Voltage	≤11.20V
Circuit Protection	
The battery is supplied with a LiFePO4 Battery Management System (BMS) that can monitor and optimise each single prismatic cell during charge & discharge, to protect the battery pack from overcharge, over discharge & short circuit. Overall, the BMS helps to ensure safe and accurate operation of the battery.	
Over-Charge Protection	
Over-charge Protection Per Cell	3.75 ± 0.03V
Over-charge Release Per Cell	3.60 ± 0.05V
Over-charge Release Method	Discharge below release voltage
Over-Discharge Protection	
Over-Discharge Protection Per Cell	2.80V ± 0.05V
Over-Discharge Release Per Cell	3.20V ± 0.05V
Over-Discharge Release Method	Apply Charge/Voltage ≥12.8v
Battery Manual Reset Button	No
Over Current Protection	
Discharge Over Current	110A for 30s - 450A for 1s
Protection Reset Time	5s Auto Release
Over Current Release Method	Disconnect Load
Over Temperature Protection	
Battery Discharge Over Temperature	Protection to 65°C ± 5°C Protection to 50°C ± 5°C
Battery Charge Over Temperature	Protection to 55°C ± 5°C Protection to 45°C ± 5°C
Short Circuit Protection	Auto release after 5s
Mechanical Characteristics	
	W/O Tray & Strap With Tray & Strap
Dimensions	L 307mm L 310mm
	W 168mm W 171 mm
	H 225mm H 236 mm
Weight	Approx. 12.5kg
Storage Information	
Temperature & Humidity Range	≤30 days - 20°C to 35°C, 45% to 75% RH ≥30 days - 10°C to 30°C, 45% to 75% RH
Self-discharge Rate	≤3% per month

EPL-100-12VLITE Specifications

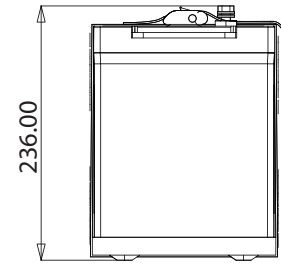
SIDE



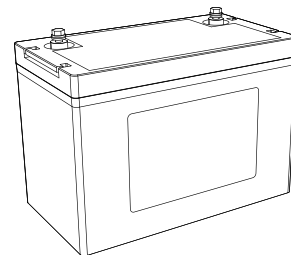
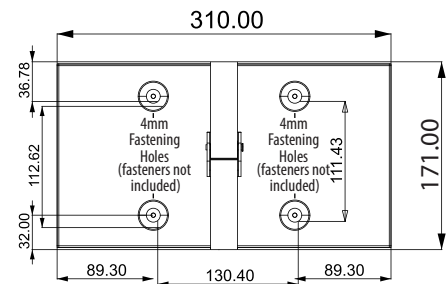
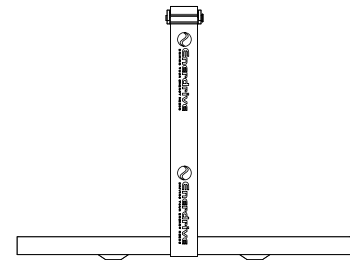
TOP



END



TRAY & STRAP



EPL-100-12VLITE
without Tray & Strap

EPL-100-12VLITE
with Tray & Strap

